

SL-IRM-KIT Infrared Module Installation Notes

081029

The Lynx SL-IRM kit provides a simple remote repeater network for controlling up to 6 devices from up to 8 rooms. Various installation examples are shown below.

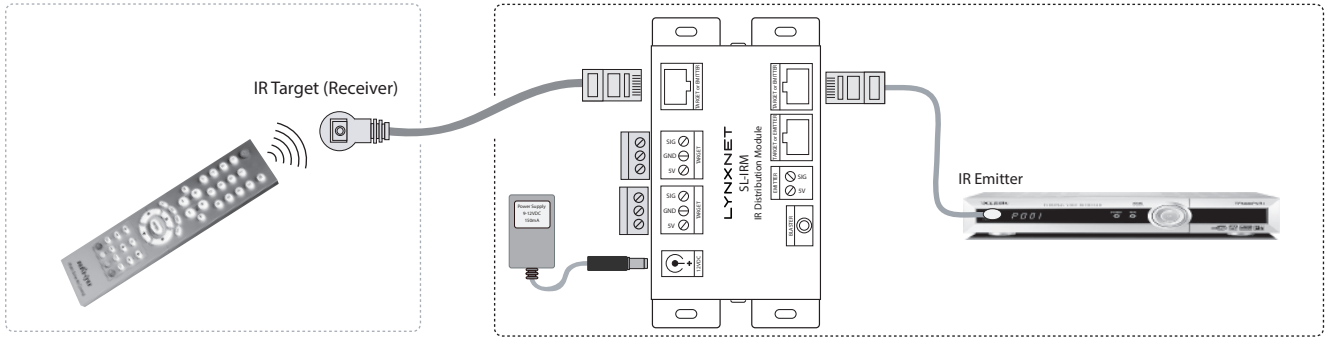
Specifications:

Infrared Frequency Bandwidth: 38KHz
 Power Supply: 9-12V DC
 Maximum cable length: 75 Metres
 Remote - Target Range : 7Metres

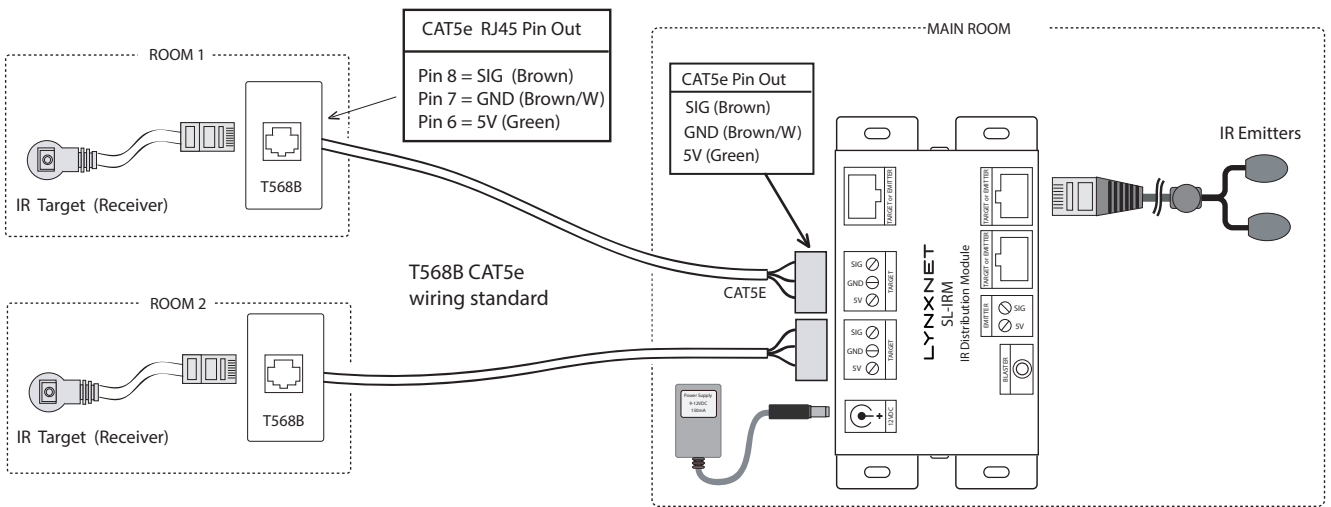
Contents:

1 x SL-IRM	Infrared Module
1 x SL-IRT	Infrared Target
1 x SL-IRE	Infrared Emitter
1 x SL-TR10NZ	Power Supply

Option 1 Simple point to point



Option 2 Multi-room, Starwire System



Option 3 Multi-room, Daisy Chain

